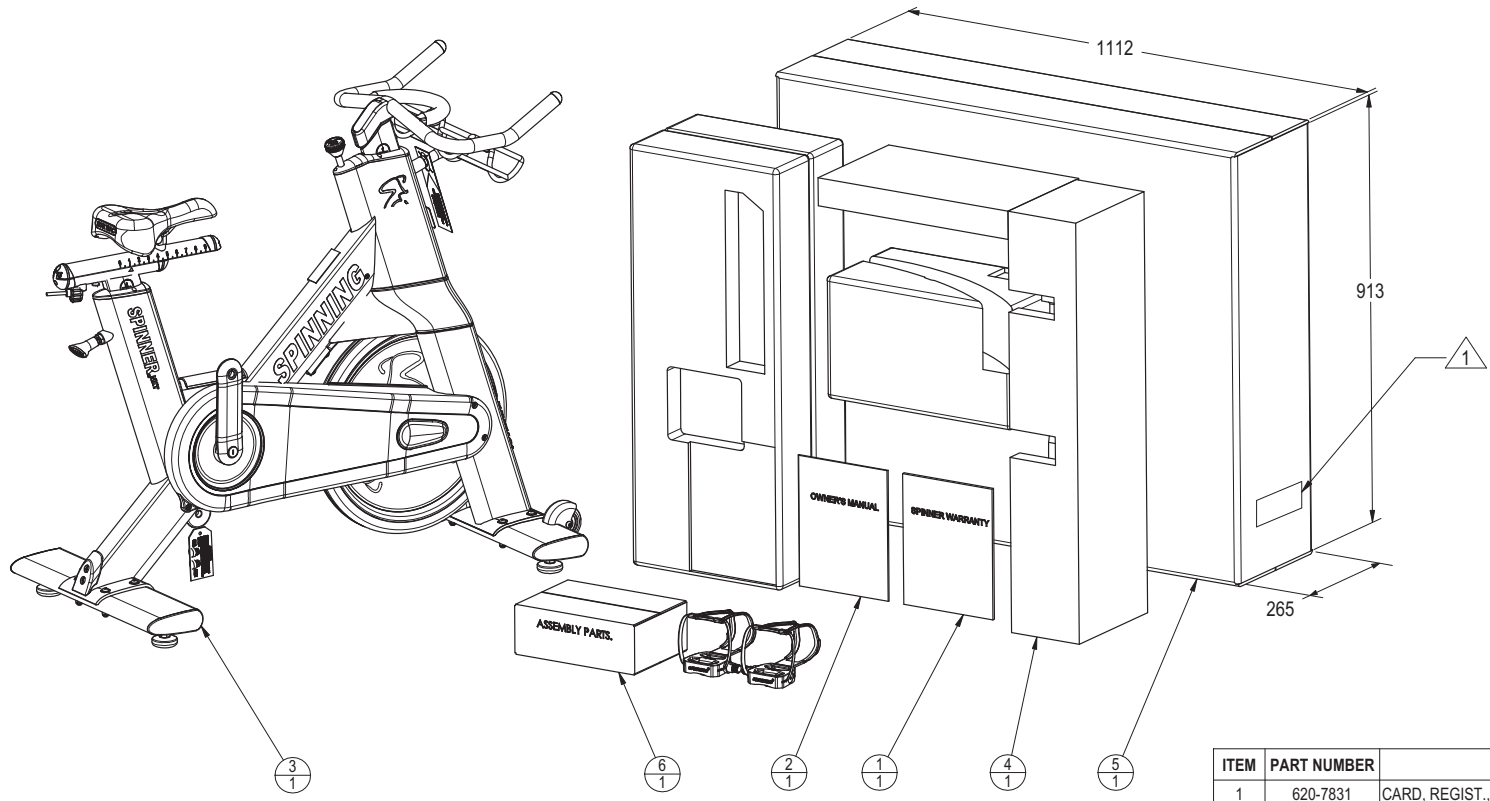


9 8 7 6 5 4 3 2 1

REVISION HISTORY				
REV	DATE	DESCRIPTION	ECO	BY
A	02-06-08	PRODUCTION RELEASE	11815	NMB
G	06-09-10	SKIP REV B-F: UPDATED BOM. STRUCTURE: UPDATE NOTES; REMOVED P/N: 740-6848, 740-6855, 740-6858, 740-6892 AND REPLACED P/N: 740-7244, 740-7245, 740-7316, 740-7454	13320	VW



ITEM	PART NUMBER	DESCRIPTION	QTY.
1	620-7831	CARD, REGIST., WARRANTY, SPINNER, 7060/70/80/90/7150	1
2	620-7835	MANUAL, SPINNER, 7060/7070/7080/7090	1
3	740-7244	ASSY, SPINNER NXT	1
4	740-7245	STYROFOAM, NXT PACKING	1
5	740-7316	CARTON, SPINNER NXT	1
6	740-7454	KIT, ASSEMBLY PARTS, NXT	1

NOTES: (G)

- 1 LABEL INFORMATION:
 A) MODEL: SPINNER NXT
 B) SKU: 9-7090-MINTPO
 C) SERIAL NUMBER: PER DOCUMENT 622-200-110
 D) COUNTRY OF ORIGIN
2. HARDWARE KIT, SPARE PARTS AND PEDALS TO BE PLACED INSIDE A BOX. BOX SHOULD HAVE APPROPRIATE LABELING
3. LOOSE PARTS MUST BE INDIVIDUALLY WRAPPED IN POLY-BAG TO PREVENT DAMAGE IN SHIPPING

NOTICE OF PROPRIETARY INFORMATION
 THIS DOCUMENT SHALL NOT BE REPRODUCED NOR SHALL THE INFORMATION CONTAINED HEREIN BE USED BY OR DISCLOSED TO OTHER EXCEPT AS EXPRESSLY AUTHORIZED BY UNISEN INC, D.B.A. STAR TRAC.

**DOCUMENT STATUS:
 RELEASE**

CLASS OF WORK	UNLESS OTHERWISE SPECIFIED DIMS ARE IN mm. TOLERANCES FOR MEASURE OF LENGTH ARE:							MATERIAL SEE BOM
	0.5 to 3	>3 to 6	>6 to 30	>30 to 120	>120 to 400	>400 to 1000	>1000 to 2000	
FINE	±0.05	±0.05	±0.1	±0.15	±0.2	±0.3	±0.5	FINISH N/A
MEDIUM X	±0.1	±0.1	±0.2	±0.3	±0.5	±0.8	±1.2	VENDOR:
COARSE	±0.2	±0.3	±0.5	±0.8	±1.2	±2	±3	P/N: N/A
VERY COARSE	-----	±0.5	±1	±1.5	±2.5	±4	±6	

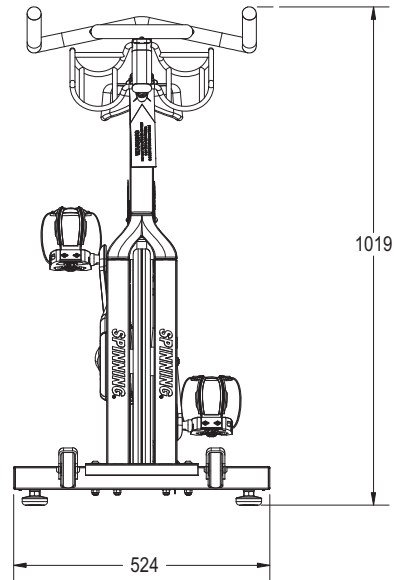
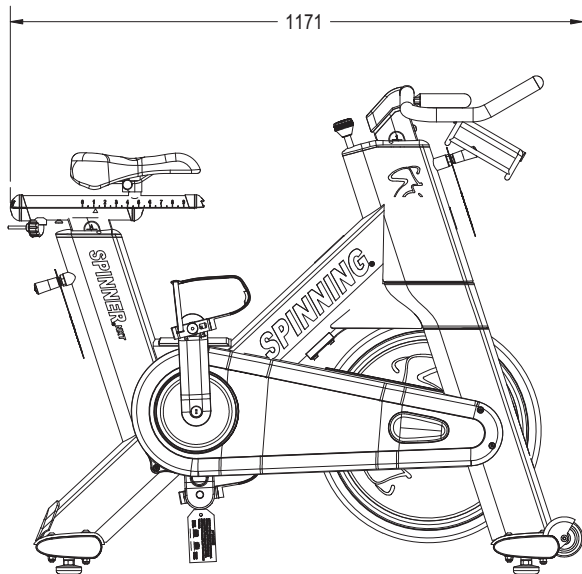
(G)
(G)
(G)
(G)

THIRD ANGLE PROJECTION		
DRAWN	INITIAL JC	DATE 2-01-2009
CHECKED		
APPROVED		

UNISEN, INC. DBA		14410 Myford Road Irvine CA 92606	
STAR TRAC			
STARTRAC PART NO	REV		
9-7090-MINTPO	G		
TITLE NXT, SPINNER, 7090			
SCALE: 1:10	SHEET 1 OF 1	SHEET SIZE: B	

9 8 7 6 5 4 3 2 1

REVISION HISTORY				
REV	DATE	DESCRIPTION	ECO	BY
G	06-09-10	PRODUCTION RELEASE	13320	VW



NOTICE OF PROPRIETARY INFORMATION
 THIS DOCUMENT SHALL NOT BE REPRODUCED NOR
 SHALL THE INFORMATION CONTAINED HEREIN BE USED
 BY OR DISCLOSED TO OTHER EXCEPT AS EXPRESSLY
 AUTHORIZED BY UNISEN INC. D.B.A. STAR TRAC.

**DOCUMENT STATUS:
 RELEASE**

- NOTES:**
1. UNIT SHOWN AT ITS MOST COMPACT CONFIGURATION.
 2. SEE SHEET 2 FOR BILL OF MATERIAL.

CLASS OF WORK	UNLESS OTHERWISE SPECIFIED DIMS ARE IN mm. TOLERANCES FOR MEASURE OF LENGTH ARE:							MATERIAL SEE BOM
	0.5 to 3	> 3 to 6	> 6 to 30	> 30 to 120	> 120 to 400	> 400 to 1000	> 1000 to 2000	
FINE	±0.05	±0.05	±0.1	±0.15	±0.2	±0.3	±0.5	----
MEDIUM X	±0.1	±0.1	±0.2	±0.3	±0.5	±0.8	±1.2	±2
COARSE	±0.2	±0.3	±0.5	±0.8	±1.2	±2	±3	±4
VERY COARSE	----	±0.5	±1	±1.5	±2.5	±4	±6	±8

ANGLES = ±2°
FINISH
 N/A
 VENDOR: P/N: **N/A**

THIRD ANGLE PROJECTION		
DRAWN	INITIAL JC	DATE 2-01-2009
CHECKED		
APPROVED		
U.O.M.	MM	

UNISEN, INC. DBA		14410 Myford Road Irvine CA 92606	
		STARTRAC PART NO 740-7244	REV G
TITLE ASSY, SPINNER NXT			
SCALE: 1:10	SHEET 1 OF 2	SHEET SIZE: B	

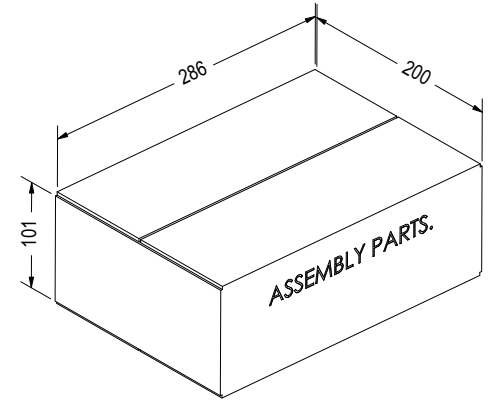
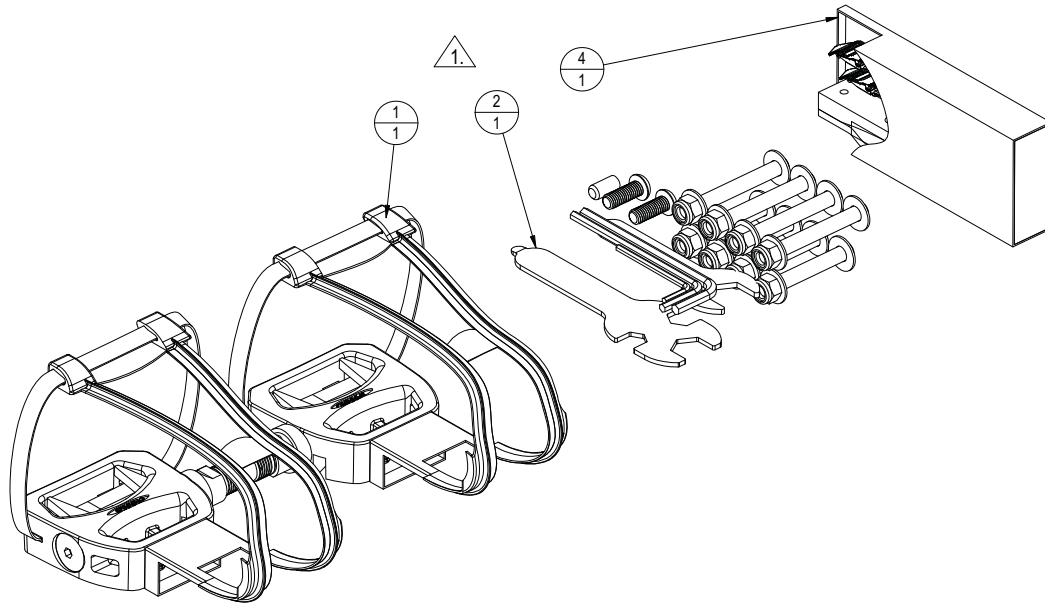
NOTE:

⚠ ALL COMPONENT SHOULD PUT INTO ASSEMBLY BOX

ASSEMBLY PARTS.

REVISION HISTORY

REV	DATE	DESCRIPTION	ECO	BY
G	04-07-10	ADDED NOTE; REMOVED PIN: 740-7207	13141	VW



ITEM NO	PART NUMBER	DESCRIPTION	QTY
1	740-6898	KIT, SET, PEDAL, SPD, 7090/7080/7070	1
2	740-7314	KIT, HARDWARE, NXT	1
3	740-7315	CARTON, ASSEMBLY PARTS, SPINNER	1
4	740-7323	KIT, SPARE, BRAKE PAD	1

**DOCUMENT STATUS:
RELEASE**

NOTICE OF PROPRIETARY INFORMATION

THIS DOCUMENT SHALL NOT BE REPRODUCED NOR SHALL THE INFORMATION CONTAINED HEREIN BE USED BY OR DISCLOSED TO OTHER EXCEPT AS EXPRESSLY AUTHORIZED BY UNISEN INC. D.B.A. STAR TRAC.

CLASS OF WORK	UNLESS OTHERWISE SPECIFIED DIMS ARE IN mm. TOLERANCES FOR MEASURE OF LENGTH ARE:							MATERIAL SEE BOM
	0.5 to 3	> 3 to 6	> 6 to 30	> 30 to 120	> 120 to 400	> 400 to 1000	> 1000 to 2000	
FINE	±0.05	±0.05	±0.1	±0.15	±0.2	±0.3	±0.5	----
MEDIUM X	±0.1	±0.1	±0.2	±0.3	±0.5	±0.8	±1.2	±2
COARSE	±0.2	±0.3	±0.5	±0.8	±1.2	±2	±3	±4
VERY COARSE	----	±0.5	±1	±1.5	±2.5	±4	±6	±8

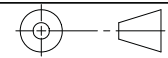
ANGLES = ±2°

FINISH
N/A

VENDOR:

P/N: **N/A**

THIRD ANGLE PROJECTION

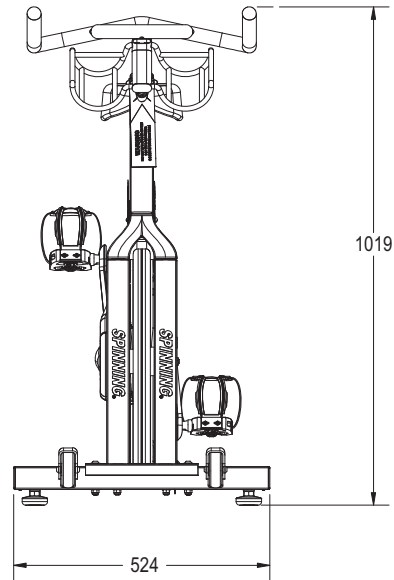
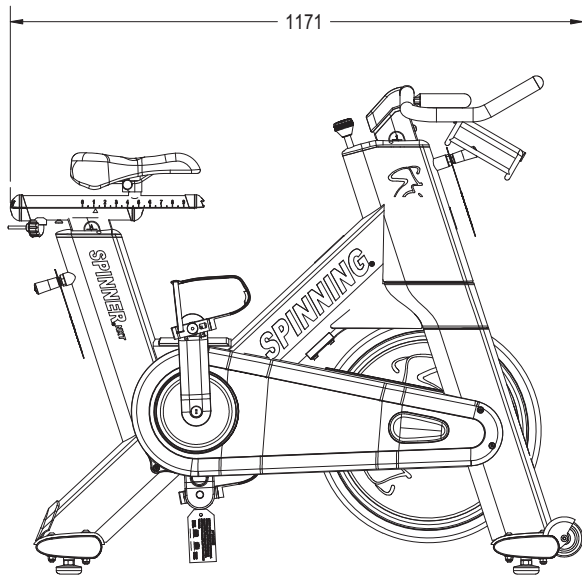


	INITIAL	DATE
DRAWN	JC	4-20-2009
CHECKED		
APPROVED		

UNISEN, INC. DBA
STAR TRAC
14410 Myford Road
Irvine CA 92606

STARTRAC PART NO	REV
740-7454	G
TITLE KIT, ASSEMBLY PARTS, NXT	
SCALE: 1:2.5 SHEET 1 OF 1 SHEET SIZE: B	

REVISION HISTORY				
REV	DATE	DESCRIPTION	ECO	BY
G	06-09-10	PRODUCTION RELEASE	13320	VW



NOTICE OF PROPRIETARY INFORMATION
 THIS DOCUMENT SHALL NOT BE REPRODUCED NOR
 SHALL THE INFORMATION CONTAINED HEREIN BE USED
 BY OR DISCLOSED TO OTHER EXCEPT AS EXPRESSLY
 AUTHORIZED BY UNISEN INC. D.B.A. STAR TRAC.

**DOCUMENT STATUS:
 RELEASE**

- NOTES:**
1. UNIT SHOWN AT ITS MOST COMPACT CONFIGURATION.
 2. SEE SHEET 2 FOR BILL OF MATERIAL.

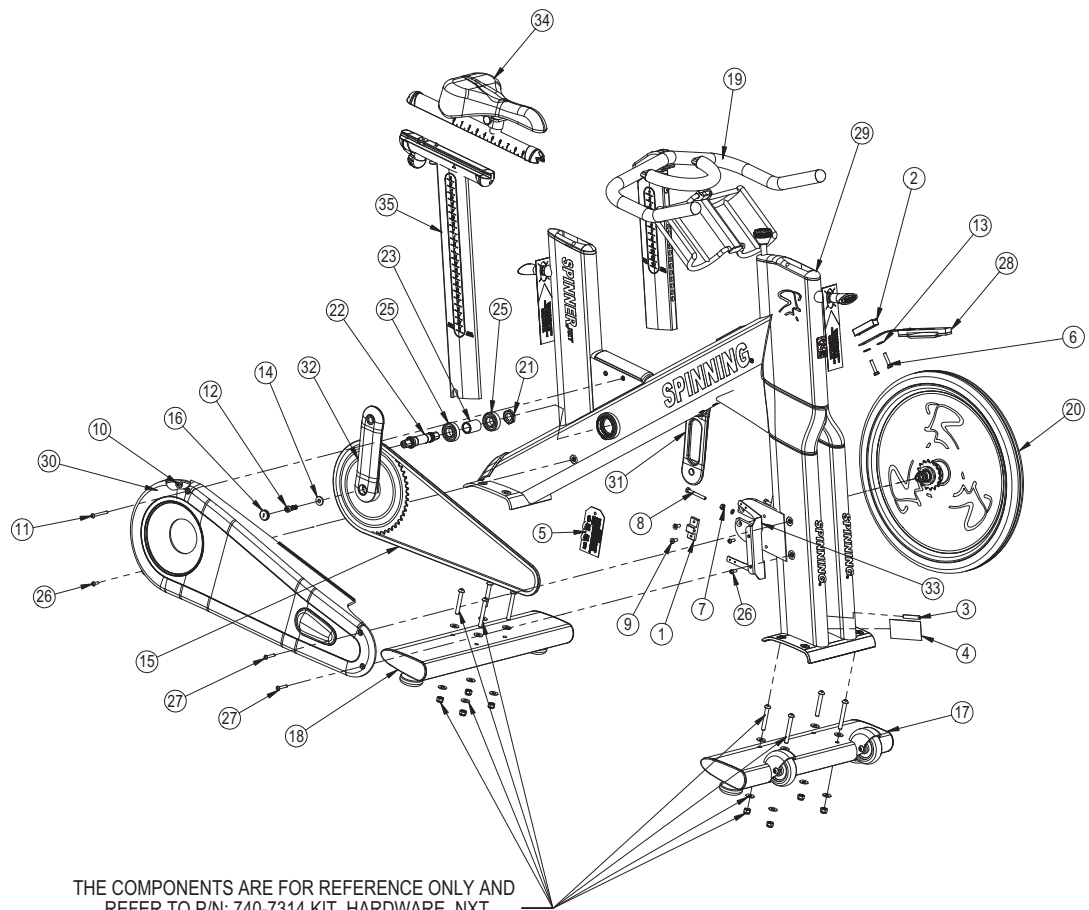
CLASS OF WORK	UNLESS OTHERWISE SPECIFIED DIMS ARE IN mm. TOLERANCES FOR MEASURE OF LENGTH ARE:							MATERIAL SEE BOM
	0.5 to 3	> 3 to 6	> 6 to 30	> 30 to 120	> 120 to 400	> 400 to 1000	> 1000 to 2000	
FINE	±0.05	±0.05	±0.1	±0.15	±0.2	±0.3	±0.5	----
MEDIUM X	±0.1	±0.1	±0.2	±0.3	±0.5	±0.8	±1.2	±2
COARSE	±0.2	±0.3	±0.5	±0.8	±1.2	±2	±3	±4
VERY COARSE	----	±0.5	±1	±1.5	±2.5	±4	±6	±8

ANGLES = ±2°
FINISH
 N/A
 VENDOR: P/N: **N/A**

THIRD ANGLE PROJECTION		
DRAWN	INITIAL JC	DATE 2-01-2009
CHECKED		
APPROVED		
U.O.M.	MM	

UNISEN, INC. DBA 		14410 Myford Road Irvine CA 92606	
STARTRAC PART NO 740-7244		REV G	
TITLE ASSY, SPINNER NXT			
SCALE: 1:10	SHEET 1 OF 2	SHEET SIZE: B	

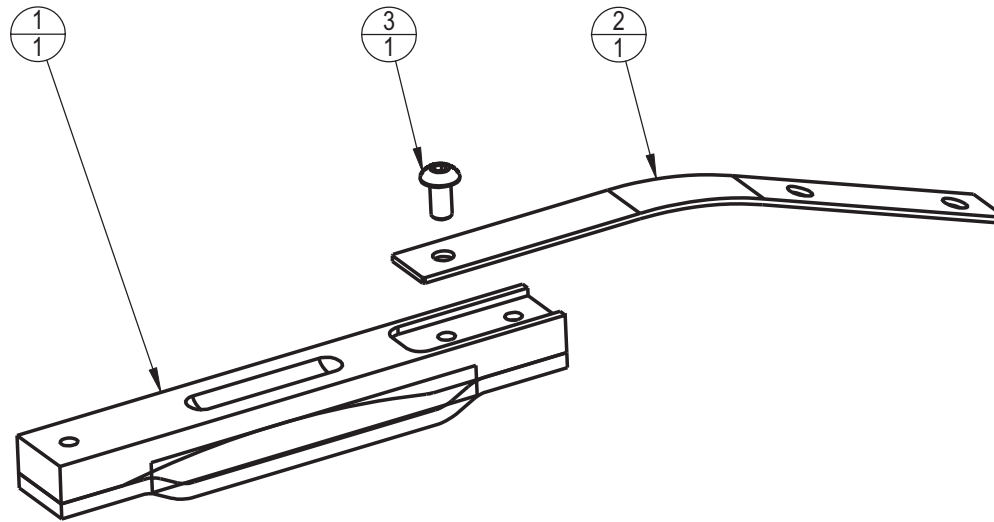
9	8	7	6	5	4	3	2	1	
ITEM NO.	PART NUMBER	DESCRIPTION	QTY.						
J	1	020-6603	BLOCK, FLYWHEEL ADJUSTMENT, SPINNER	2					
	2	020-6618	BLOCK, BRAKE, SPINNER NXT	1					
	3	050-2115	LABEL,MADE IN CHINA	1					
	4	050-2125	LABEL, SERIAL NO., OEM UNIV	1					
	5	050-2140	TAG, PEDAL, INSTALLATION, SPINNERS, E,P,S-SERIES BIKES	1					
I	6	110-3318	SCREW, B18.2.3.1M-HEX CAP SCREW, M6X1.0X30-30N	2					
	7	110-3325	NUT, HEX, M6X1	2					
	8	110-3326	SCREW, M6X1, 50MM, HHM, SS	2					
	9	110-3328	SCREW, M6X1, 16MM, FHM, HE	4					
H	10	110-3331	SCREW, M5X0.8, 25MM, BHC, HE, SS	1					
	11	110-3332	SCREW, M5X0.8, 50MM, BHC, HE, SS	1					
	12	110-3464	SCREW, M8X1.0X25MM, SHC, HK, BO	2					
	13	120-3286	WASHER, 6MMX1MM	2					
G	14	120-3325	WASHER, FLAT, ID 8.23MM, OD 19.68MM, 2.75THK	2					
	15	130-1716	CHAIN, BMX-410 HX, 110 LINK	1					
	16	140-3322	CAP, CRANK, WM22X1.0 SCREW	2					
	17	727-0002	ASSY, FRONT LEG, NXT	1					
	18	727-0003	ASSY, REAR LEG, NXT/E-SPINNER	1					
F	19	727-0004	ASSY, HANDLE BAR, NXT	1					
	20	740-6870	ASSY, FLYWHEEL, NXT	1					
	21	740-7159	NUT, AXLE B/B	1					
	22	740-7160	B/B AXLE	1					
	23	740-7161	SPACER, AXLE, B/B	1					
E	24	740-7167	WASHER, LOCK, SPLIT, M6	2					
	25	740-7170	BEARING, 20 ID, 42 OD, 12THK	2					
	26	740-7183	SCREW,M5X0.8X16,BHC,HE,SS	3					
	27	740-7184	SCREW,M5X0.8X30,BHC,HE,SS	2					
	28	740-7207	ASSY, SPINNER, BRAKE PAD	1					
D	29	740-7220	ASSY, FRAME NXT	1					
	30	740-7225	ASSY, CHAIN GUARD, NXT/E-SPINNER	1					
	31	740-7284-01	CRANK-LEFT, NXT	1					
	32	740-7284-02	ASSY, WELDED, CRANK, RH	1					
C	33	740-7291	BRACKET, CHAIN GUARD, INSIDE	1					
	34	740-7529	ASSY, SEAT ADJUST, NXT/e-SPINNER	1					
	35	740-7530	ASSY, SEAT POST, REAR, NXT/e-SPINNER	1					



THE COMPONENTS ARE FOR REFERENCE ONLY AND REFER TO P/N: 740-7314 KIT, HARDWARE, NXT

UNISEN, INC. DBA		14410 Myford Road	
STAR TRAC		Irvine CA 92606	
STARTRAC PART NO.	REV		
740-7244	G		
TITLE			
ASSY,SPINNER NXT			
SCALE: 1:12	SHEET 2 OF 2	SHEET SIZE: B	

REVISION HISTORY				
REV	DATE	DESCRIPTION	ECO	BY
F	10-21-09	RELEASE FOR PRODUCTION	12264	AK
G	05-26-10	REMOVE VENDOR P/N	13142	VW



**DOCUMENT STATUS:
RELEASE**

NOTICE OF PROPRIETARY INFORMATION

THIS DOCUMENT SHALL NOT BE REPRODUCED NOR SHALL THE INFORMATION CONTAINED HEREIN BE USED BY OR DISCLOSED TO OTHER EXCEPT AS EXPRESSLY AUTHORIZED BY UNISEN INC, D.B.A. STAR TRAC.

MATERIAL
SEE BOM

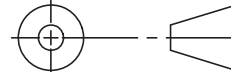
FINISH
N/A

VENDOR:

P/N:

ITEM NO.	PART NUMBER	DESCRIPTION	QTY.
1	740-6872	KIT, ASSY, PAD, BRAKE, SPINNER, 7090/80/70/60	1
2	740-7019	PLATE, BRAKE PAD	1
3	740-7182	SCREW, M5X0.8X10, BHC, HE, SS	1

THIRD ANGLE PROJECTION



UNISEN, INC. DBA



14410 Myford Road
Irvine CA 92606

STARTRAC PART NO

740-7207

REV

G

TITLE

ASSY, SPINNER, BRAKE PAD

SCALE: 1:3

SHEET 1 OF 1

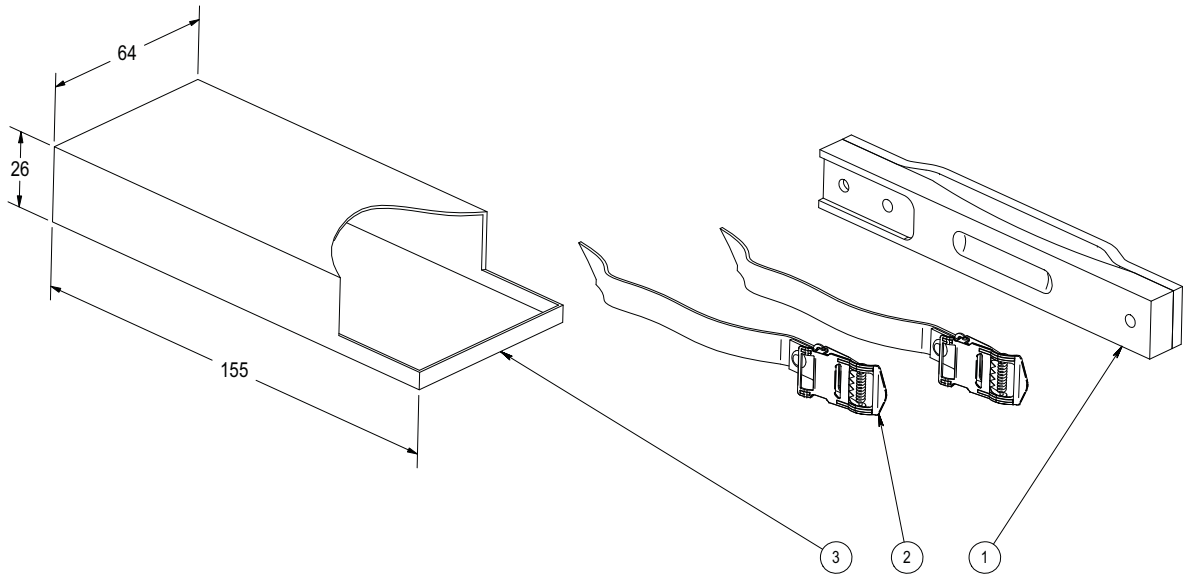
SHEET SIZE: A

CLASS OF WORK	FINE	MEDIUM	COARSE	VERY COARSE
			X	

UNLESS OTHERWISE SPECIFIED DIMS ARE IN mm. TOLERANCES FOR MEASURE OF LENGTH ARE: ANGLES ±2°	0.5 to 3	±0.05	±0.1	±0.2	----
	> 3 to 6	±0.05	±0.1	±0.3	±0.5
	> 6 to 30	±0.1	±0.2	±0.5	±1
	> 30 to 120	±0.15	±0.3	±0.8	±1.5
	> 120 to 400	±0.2	±0.5	±1.2	±2.5
	> 400 to 1000	±0.3	±0.8	±2	±4
	> 1000 to 2000	±0.5	±1.2	±3	±6
	> 2000	----	±2	±4	±8

9 8 7 6 5 4 3 2 1

REVISION HISTORY				
REV	DATE	DESCRIPTION	ECO	BY
G	04-07-10	UPDATE EXPLODED VIEW, UPDATE BOM	13141	VW



ITEM NO.	PART NUMBER	DESCRIPTION	QTY.
1	740-6872	KIT, ASSY, PAD, BRAKE, SPINNER, 7090/80/70/60	1
2	740-7307	STRAP, PEDAL, PRO	2
3	740-7323-001	CARTON, SPARE KIT	1

**DOCUMENT STATUS:
RELEASE**

NOTICE OF PROPRIETARY INFORMATION

THIS DOCUMENT SHALL NOT BE REPRODUCED NOR SHALL THE INFORMATION CONTAINED HEREIN BE USED BY OR DISCLOSED TO OTHER EXCEPT AS EXPRESSLY AUTHORIZED BY UNISEN INC, D.B.A. STAR TRAC.

CLASS OF WORK	UNLESS OTHERWISE SPECIFIED DIMS ARE IN mm. TOLERANCES FOR MEASURE OF LENGTH ARE:							ANGLES = ±2°		
	0.5 to 3	> 3 to 6	> 6 to 30	> 30 to 120	> 120 to 400	> 400 to 1000	> 1000 to 2000	> 2000		
FINE	±0.05	±0.05	±0.1	±0.15	±0.2	±0.3	±0.5	----		
MEDIUM X	±0.1	±0.1	±0.2	±0.3	±0.5	±0.8	±1.2	±2		
COARSE	±0.2	±0.3	±0.5	±0.8	±1.2	±2	±3	±4		
VERY COARSE	----	±0.5	±1	±1.5	±2.5	±4	±6	±8		

MATERIAL
SEE BOM

FINISH
N/A

VENDOR: **N/A**

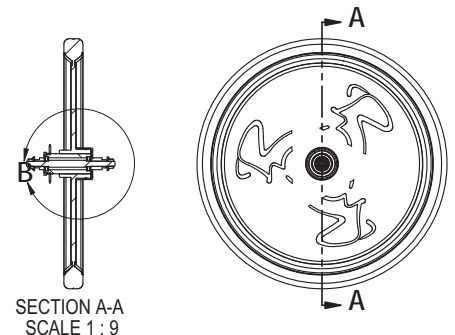
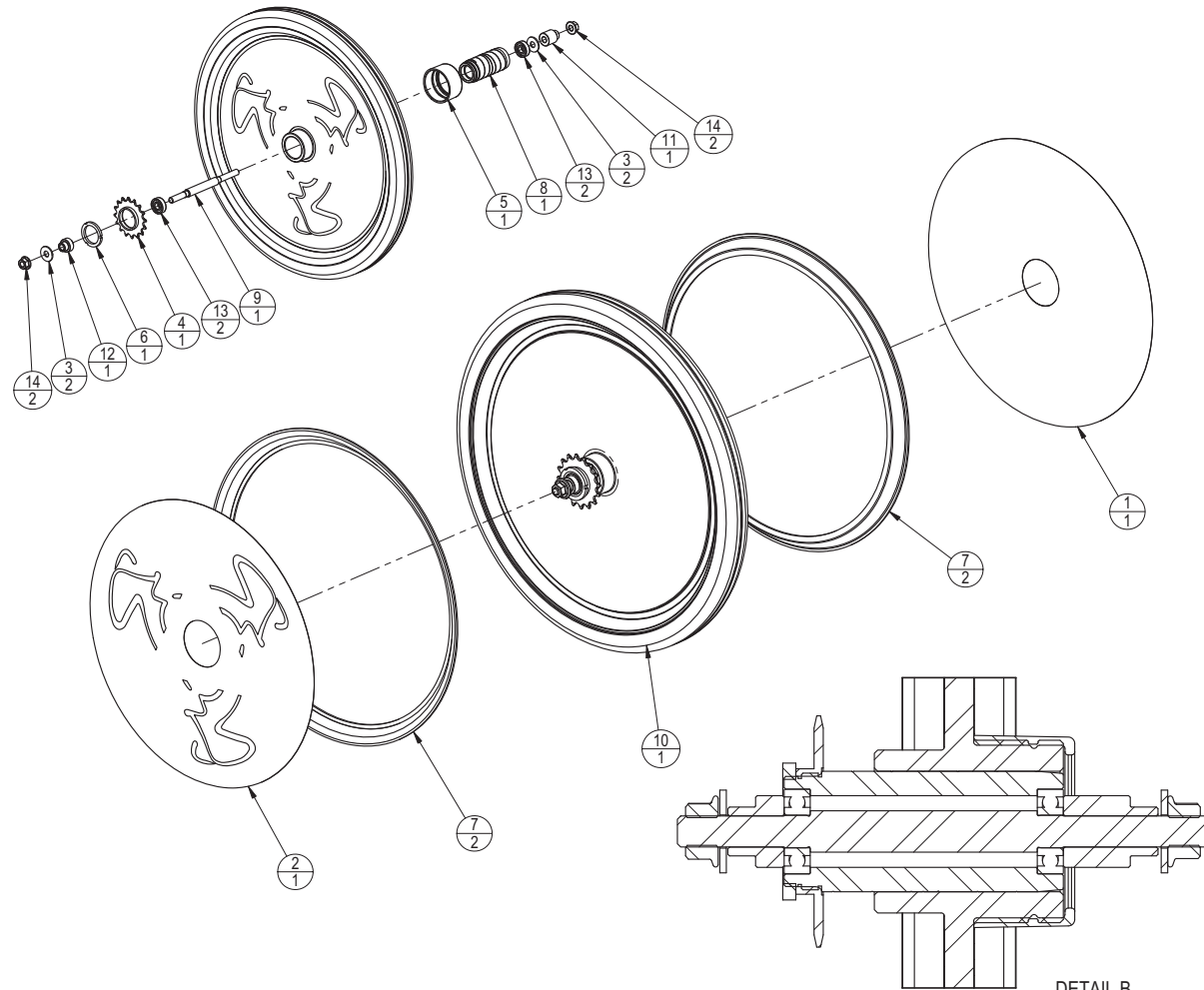
P/N: **N/A**

THIRD ANGLE PROJECTION		
DRAWN	INITIAL DMM	DATE 12/10/09
CHECKED		
APPROVED		
U.O.M.	MM	

UNISEN, INC. DBA		14410 Myford Road Irvine CA 92606	
STARTRAC PART NO		REV	
740-7323		G	
TITLE			
KIT, SPARE, BRAKE PAD			
SCALE: 1:1.5		SHEET 1 OF 1	SHEET SIZE: B

9 8 7 6 5 4 3 2 1

REVISION HISTORY				
REV	DATE	DESCRIPTION	ECO	BY
B		ADD BOM; ADD NOTE 3, REMOVED NOTE 1	12275	AK
F	7/9/2010	SKIPPED REV D TO E; RELEASE WITH STAR TRAC P/N.	13371	FJM



ITEM NO.	PART NUMBER	DESCRIPTION	Q'TY.
1	050-2127-01	DECAL, FLYWHEEL SPINNING, LEFT	1
2	050-2127-02	DECAL, FLYWHEEL SPINNING, RIGHT	1
3	120-3285	WASHER, ID 10.2MM, OD 25.4MM, THICK 2MM, SS	2
4	740-7013	SPROCKET WHEEL, 16T	1
5	740-7015	CAP, RUBBER, FLYWHEEL	1
6	740-7114	RETAINING NUT	1
7	740-7117	RIM, PLASTIC, FLYWHEEL	2
8	740-7118	HOUSING, BEARING, FLYWHEEL	1
9	740-7119	AXLE, FLYWHEEL, NXT	1
10	740-7120	FLYWHEEL, NXT/PRO	1
11	740-7157	SPACER, AXLE, LEFT	1
12	740-7158	SPACER, AXLE, RIGHT, SPINNER	1
13	740-7168	BEARING, 10ID, 26OD, 8THK	2
14	740-7191	NUT, 3/8-26, FLANGE, HEX, CS, BO	2

DETAIL B
SCALE 1:1.5



2010.07.22
12:56:07
-07'00"

DOCUMENT STATUS:

NOTICE OF PROPRIETARY INFORMATION

THIS DOCUMENT SHALL NOT BE REPRODUCED NOR SHALL THE INFORMATION CONTAINED HEREIN BE USED BY OR DISCLOSED TO OTHER EXCEPT AS EXPRESSLY AUTHORIZED BY UNISEN INC, D.B.A. STAR TRAC.

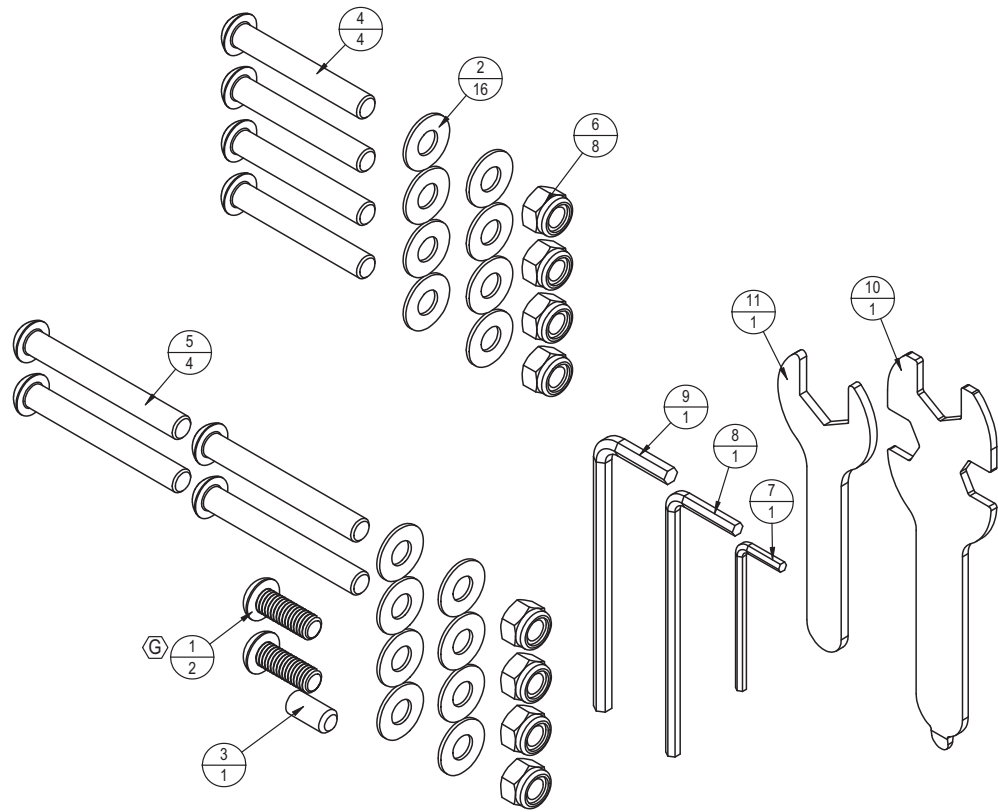
CLASS OF WORK	UNLESS OTHERWISE SPECIFIED DIMS ARE IN mm. TOLERANCES FOR MEASURE OF LENGTH ARE:							ANGLES = ±2°		
	0.5 to 3	>3 to 6	>6 to 30	>30 to 120	>120 to 400	>400 to 1000	>1000 to 2000	>2000		
FINE	±0.05	±0.05	±0.1	±0.15	±0.2	±0.3	±0.5	----		
MEDIUM X	±0.1	±0.1	±0.2	±0.3	±0.5	±0.8	±1.2	±2		
COARSE	±0.2	±0.3	±0.5	±0.8	±1.2	±2	±3	±4		
VERY COARSE	----	±0.5	±1	±1.5	±2.5	±4	±6	±8		

MATERIAL SEE BOM	
FINISH N/A	
VENDOR: N/A	P/N: N/A

THIRD ANGLE PROJECTION		
DRAWN	INITIAL JC	DATE 10-20-2008
CHECKED		
APPROVED		

UNISEN, INC. DBA STAR TRAC		14410 Myford Road Irvine CA 92606	
STARTRAC PART NO	740-6870	REV	F
TITLE ASSY, FLYWHEEL, NXT			
SCALE: 1:6	SHEET 1 OF 1	SHEET SIZE: B	

REVISION HISTORY				
REV	DATE	DESCRIPTION	ECO	BY
G	4-07-10	RELEASE FOR PRODUCTION; CHANGED SCREW SIZE 110-3463 FROM 1.00MM TO 1.25MM	13141	VW



ITEM NO.	PART NUMBER	DESCRIPTION	QTY.
1	110-3463	SCREW, M8X 1.25X 22M, BHC, SS, W/ NYLON PATCH	2
2	740-7294	WASHER, B18.22M-PLAIN WASHER, 8MM	16
3	740-7295	BOLT B18.3.6M - M8X1.25X16 HEX SOCKET FLAT PT. SS--N	1
4	740-7297	BOLT, B18.3.4M-8X1.25X55 SBHC--N	4
5	740-7298	BOLT, B18.3.4M-8X1.25X65 SBHCS--N	4
6	740-7301	NUT, M8X1.25, NYLOCK, SS	8
7	740-7324	WRENCH, HEX, 3MM	1
8	740-7325	HEX KEY WRENCH, 4MM	1
9	740-7326	WRENCH, HEX, 5MM	1
10	740-7327	WRENCH, OPEN END	1
11	740-7328	WRENCH, OPEN END	1

**DOCUMENT STATUS:
RELEASE**

NOTICE OF PROPRIETARY INFORMATION
THIS DOCUMENT SHALL NOT BE REPRODUCED NOR SHALL THE INFORMATION CONTAINED HEREIN BE USED BY OR DISCLOSED TO OTHER EXCEPT AS EXPRESSLY AUTHORIZED BY UNISEN INC. D.B.A. STAR TRAC.

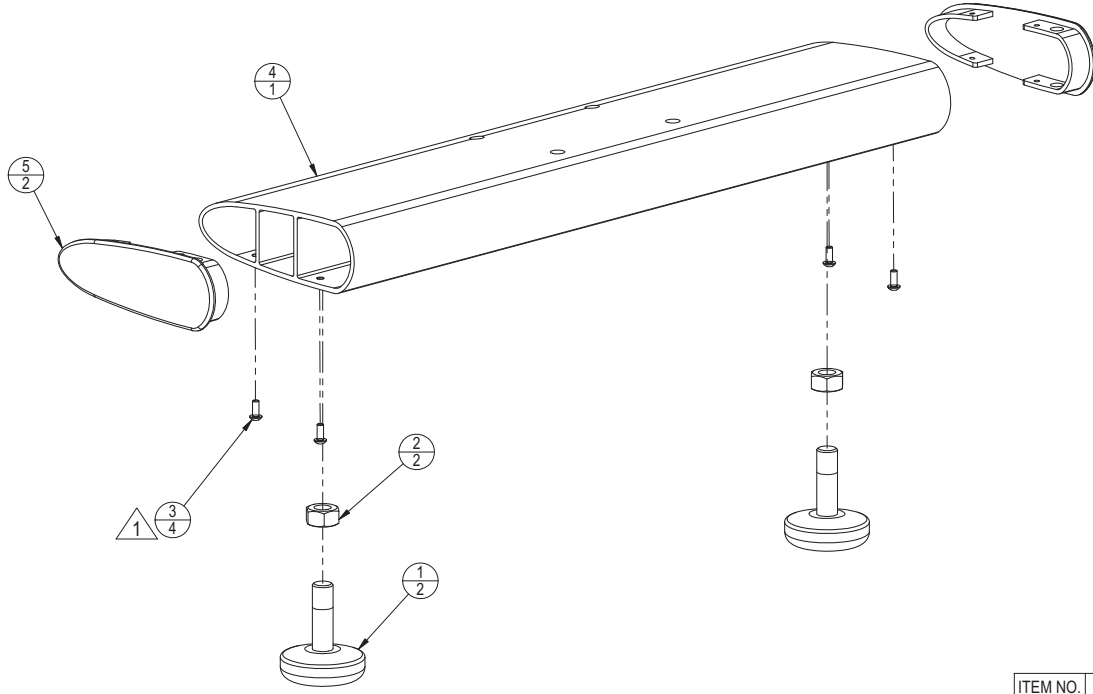
CLASS OF WORK	UNLESS OTHERWISE SPECIFIED DIMS ARE IN mm. TOLERANCES FOR MEASURE OF LENGTH ARE:							ANGLES = ±2°
	0.5 to 3	>3 to 6	>6 to 30	>30 to 120	>120 to 400	>400 to 1000	>1000 to 2000	
FINE	±0.05	±0.05	±0.1	±0.15	±0.2	±0.3	±0.5	----
MEDIUM X	±0.1	±0.1	±0.2	±0.3	±0.5	±0.8	±1.2	±2
COARSE	±0.2	±0.3	±0.5	±0.8	±1.2	±2	±3	±4
VERY COARSE	----	±0.5	±1	±1.5	±2.5	±4	±6	±8

MATERIAL SEE BOM	FINISH N/A	VENDOR: N/A	P/N: 321-4-30000-00
----------------------------	----------------------	--------------------	----------------------------

THIRD ANGLE PROJECTION	
DRAWN	INITIAL: JC DATE: 2-01-2009
CHECKED	
APPROVED	

UNISEN, INC. DBA 		14410 Myford Road Irvine CA 92606
STARTRAC PART NO	740-7314	REV G
TITLE KIT, HARDWARE, NXT		
SCALE: 1:1.5	SHEET 1 OF 1	SHEET SIZE: B

REVISION HISTORY				
REV	DATE	DESCRIPTION	ECO	BY
A	05-11-05	PRODUCTION RELEASE	11255	RKL
F	10-21-09	REPLACED ENTIRE BOM 800-3729, 110-3317 & 727-0029 WITH 740-7023 & 740-7173 QTY 2, 740-7181 QTY 4, 740-7218, 740-7281 & 740-7280 QTY 1	12264	AK
G	04-07-10	UPDATE NOTES; REPLACED P/N: 740-7281 W/P/N: 740-7280	13141	VW



NOTICE OF PROPRIETARY INFORMATION
 THIS DOCUMENT SHALL NOT BE REPRODUCED NOR SHALL THE INFORMATION CONTAINED HEREIN BE USED BY OR DISCLOSED TO OTHERS EXCEPT AS EXPRESSLY AUTHORIZED BY UNISEN INC. D.B.A. STAR TRAC.

**DOCUMENT STATUS:
 RELEASE**

ITEM NO.	PART NUMBER	DESCRIPTION	QTY.
1	740-7023	ASSY, FOOT, W/ OVER MOLD	2
2	740-7173	NUT, 1/2-13, HEX, CS, BO	2
3	740-7181	SCREW, M4X0.7X10, BHC, HE, SS	4
4	740-7218	TUBE, REAR LEG, NXT/E-SPINNER, WELD	1
5	740-7280	END CAP	2

NOTES: **G**
 1. APPLY LOCTITE 242/262 (GREEN) OR ENGINEERING APPROVED EQUIV. BEFORE APPLICATION.

CLASS OF WORK	UNLESS OTHERWISE SPECIFIED DIMS ARE IN mm. TOLERANCES FOR MEASURE OF LENGTH ARE:						
	0.5 to 3	> 3 to 6	> 6 to 30	> 30 to 120	> 120 to 400	> 400 to 1000	> 1000 to 2000
FINE	±0.05	±0.05	±0.1	±0.15	±0.2	±0.3	±0.5
MEDIUM X	±0.1	±0.1	±0.2	±0.3	±0.5	±0.8	±1.2
COARSE	±0.2	±0.3	±0.5	±0.8	±1.2	±2	±3
VERY COARSE	-----	±0.5	±1	±1.5	±2.5	±4	±8

MATERIAL
 SEE BOM

FINISH
 N/A

VENDOR: N/A **P/N:** N/A

THIRD ANGLE PROJECTION		
DRAWN	INITIAL	DATE
CHECKED		
APPROVED		

UNISEN, INC. DBA
STAR TRAC
 14410 Myford Road
 Irvine CA 92606

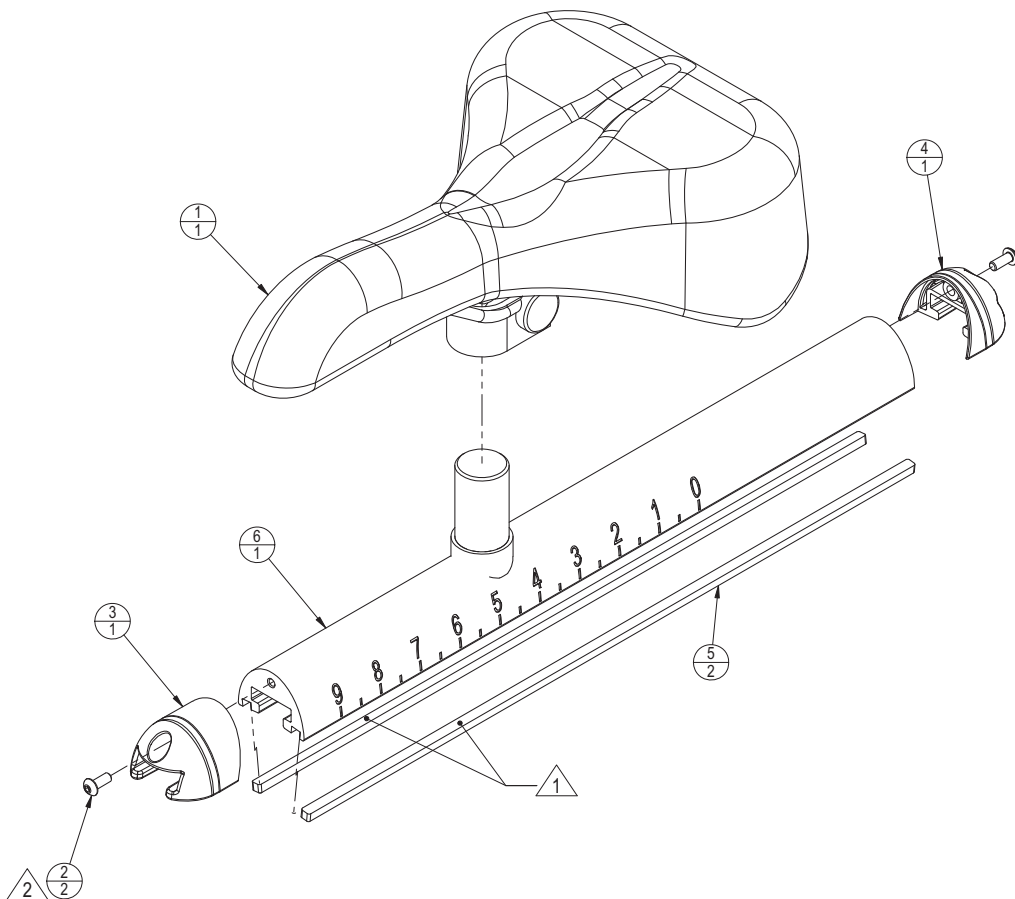
STARTRAC PART NO. **727-0003** REV **G**

TITLE
ASSY, REAR LEG, NXT/E-SPINNER

SCALE: 1:3 SHEET 1 OF 1 SHEET SIZE: B

9 8 7 6 5 4 3 2 1

REVISION HISTORY				
REV	DATE	DESCRIPTION	ECO	BY
A	04-07-10	PRODUCTION RELEASE	13141	SJK



NOTICE OF PROPRIETARY INFORMATION
 THIS DOCUMENT SHALL NOT BE REPRODUCED NOR SHALL THE INFORMATION CONTAINED HEREIN BE USED BY OR DISCLOSED TO OTHERS EXCEPT AS EXPRESSLY AUTHORIZED BY UNISEN INC. D.B.A. STAR TRAC.

**DOCUMENT STATUS:
 RELEASE**

ITEM NO.	PART NUMBER	DESCRIPTION	QTY.
1	727-0022	SADDLE, SPIN, NXT, E, ELITE	1
2	740-7181	SCREW, M4X0.7X10, BHC, HE, SS	2
3	740-7272	ENDCAP, FRONT, SEAT SLIDER	1
4	740-7273	ENDCAP, REAR, SEAT SLIDER	1
5	740-7274	SHIM, SEAT SLIDER, RIGHT, NXT	2
6	740-7527	SEAT SLIDER, RAIL, TOP, WELDMENT	1

- NOTES:**
1. APPLY LOCTITE 411 OR ENGINEERING APPROVED EQUIV. BEFORE APPLICATION OF P/N: 740-7274.
 2. APPLY LOCTITE 290 (GREEN) OR ENGINEERING APPROVED EQUIV. BEFORE APPLICATION OF P/N: 740-7181.

CLASS OF WORK	UNLESS OTHERWISE SPECIFIED DIMS ARE IN mm. TOLERANCES FOR MEASURE OF LENGTH ARE:						
	0.5 to 3	>3 to 6	>6 to 30	>30 to 120	>120 to 400	>400 to 1000	>1000 to 2000
FINE	±0.05	±0.05	±0.1	±0.15	±0.2	±0.3	±0.5
MEDIUM X	±0.1	±0.1	±0.2	±0.3	±0.5	±0.8	±1.2
COARSE	±0.2	±0.3	±0.5	±0.8	±1.2	±2	±3
VERY COARSE	-----	±0.5	±1	±1.5	±2.5	±4	±8

MATERIAL
 SEE BOM

FINISH
 N/A

VENDOR: **N/A** P/N: **N/A**

THIRD ANGLE PROJECTION

DRAWN	INITIAL	DATE
CHECKED		
APPROVED		

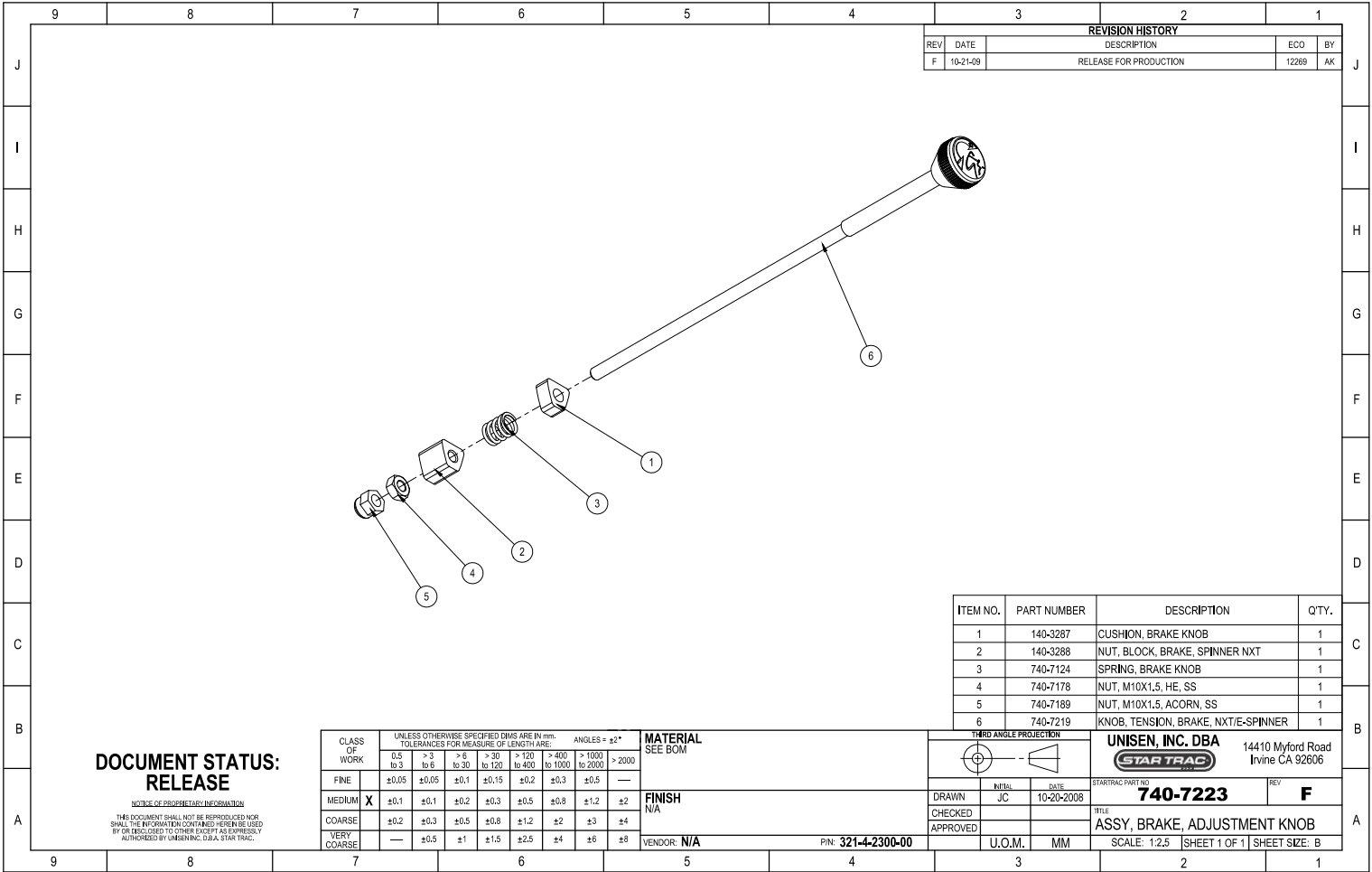
UNISEN, INC. DBA
STAR TRAC
 14410 Myford Road
 Irvine CA 92606

STARTRAC PART NO: **740-7529** REV: **A**

TITLE: **ASSY, SEAT ADJUST, NXT/e-SPINNER**

SCALE: 1:2 | SHEET 1 OF 1 | SHEET SIZE: B

9 8 7 6 5 4 3 2 1



REVISION HISTORY			
REV	DATE	DESCRIPTION	ECO BY
F	10-21-09	RELEASE FOR PRODUCTION	12269 AK

ITEM NO.	PART NUMBER	DESCRIPTION	QTY.
1	140-3287	CUSHION, BRAKE KNOB	1
2	140-3288	NUT, BLOCK, BRAKE, SPINNER NXT	1
3	740-7124	SPRING, BRAKE KNOB	1
4	740-7178	NUT, M10X1.5, HE, SS	1
5	740-7189	NUT, M10X1.5, ACORN, SS	1
6	740-7219	KNOB, TENSION, BRAKE, NXT/E-SPINNER	1

**DOCUMENT STATUS:
RELEASE**

NOTICE OF PROPRIETARY INFORMATION
THIS DOCUMENT SHALL NOT BE REPRODUCED NOR
SHALL THE INFORMATION CONTAINED HEREIN BE USED
BY OR FOR OTHERS WITHOUT EXPRESSLY
AUTHORIZED BY UNISEN, INC. STAR TRAC.

CLASS OF WORK	UNLESS OTHERWISE SPECIFIED DIMS ARE IN mm. TOLERANCES FOR MEASURE OF LENGTH ARE:							ANGLES = ±2°*		
	0.3 to 3	>3 to 6	>6 to 30	>30 to 120	>120 to 400	>400 to 1000	>1000 to 2000	>2000		
FINE	±0.05	±0.05	±0.1	±0.15	±0.2	±0.3	±0.5	—		
MEDIUM	±0.1	±0.1	±0.2	±0.3	±0.5	±0.8	±1.2	±2		
COARSE	±0.2	±0.3	±0.5	±0.8	±1.2	±2	±3	±4		
VERY COARSE	—	±0.5	±1	±1.5	±2.5	±4	±6	±8		

MATERIAL
SEE BOM

FINISH
N/A

VENDOR: N/A

P/N: 321-4-2300-00

THIRD ANGLE PROJECTION		
DRAWN	INITIAL	DATE
CHECKED	JC	10-20-2008
APPROVED		

UNISEN, INC. DBA
STAR TRAC
14410 Myford Road
Irvine CA 92606

STARTRAC PART NO: **740-7223** REV: **F**

TITLE: **ASSY, BRAKE, ADJUSTMENT KNOB**
SCALE: 1:2.5 SHEET 1 OF 1 SHEET SIZE: B